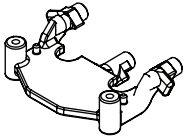




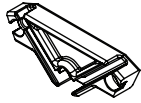
## Expander Mount Installation Instructions

Covers Part #6555

Use these kit parts for the Slash 4x4, the Stampede 4x4, or the 1/10 Rally:



Expander mount

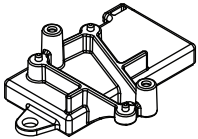


Expander mount clamp



3x12 BCS (3)

Use this kit part for the Jato:

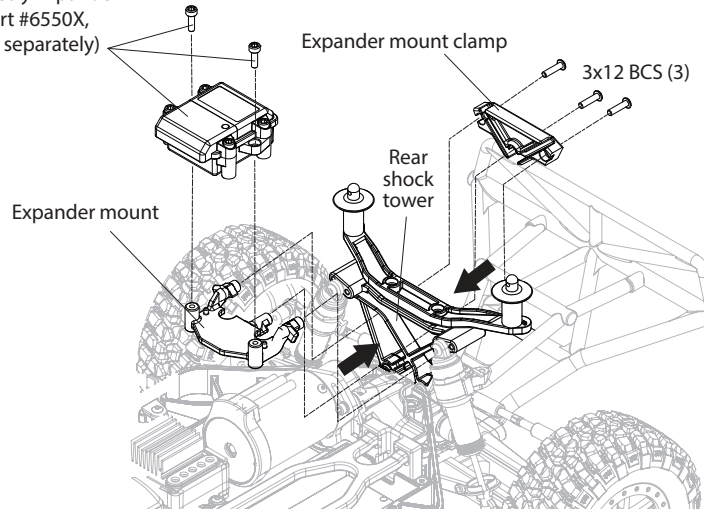


Expander mount (new receiver box cover)

### Slash 4x4, Stampede 4x4, 1/10 Rally

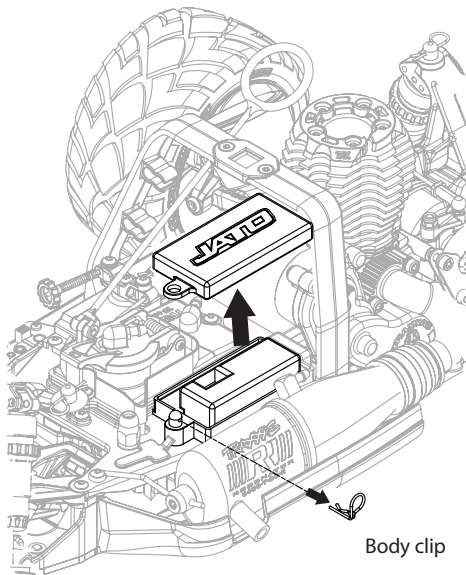
Install the Expander mount and the Expander mount clamp to the rear shock tower.

Telemetry Expander  
(Part #6550X,  
sold separately)

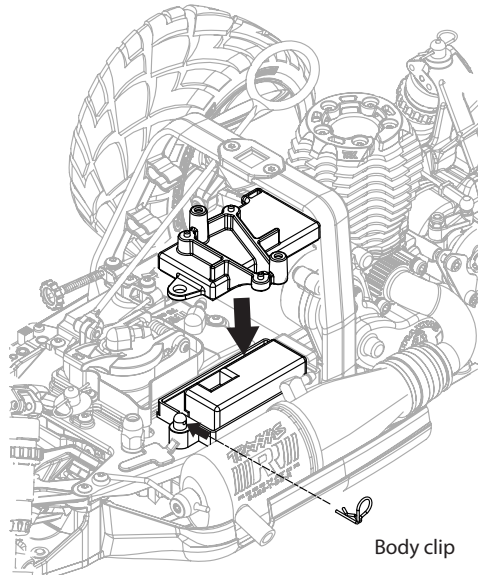


### Jato

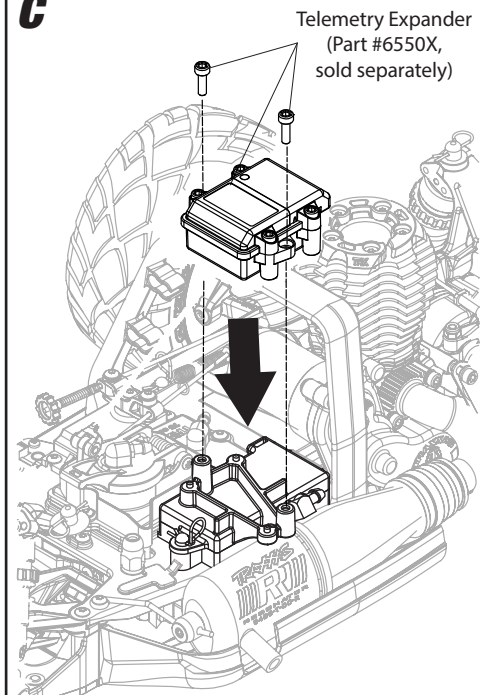
**A** Remove the receiver box cover and discard.



**B** Install the Expander mount (new receiver box cover).



**C**



If you have questions or need technical assistance, call Traxxas at

**1-888-TRAXXAS**

(1-888-872-9927) (U.S. residents only)

**TRAXXAS.COM**